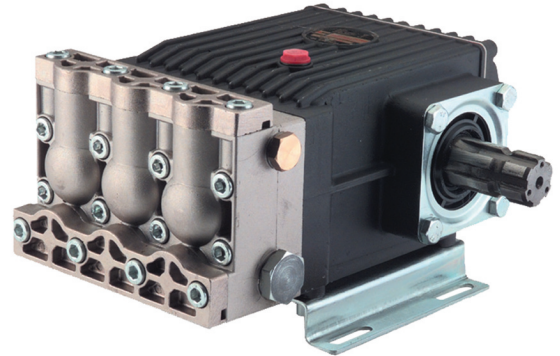


AT Series 69

Triplex Plunger Pump, Splined Shaft

FEATURES

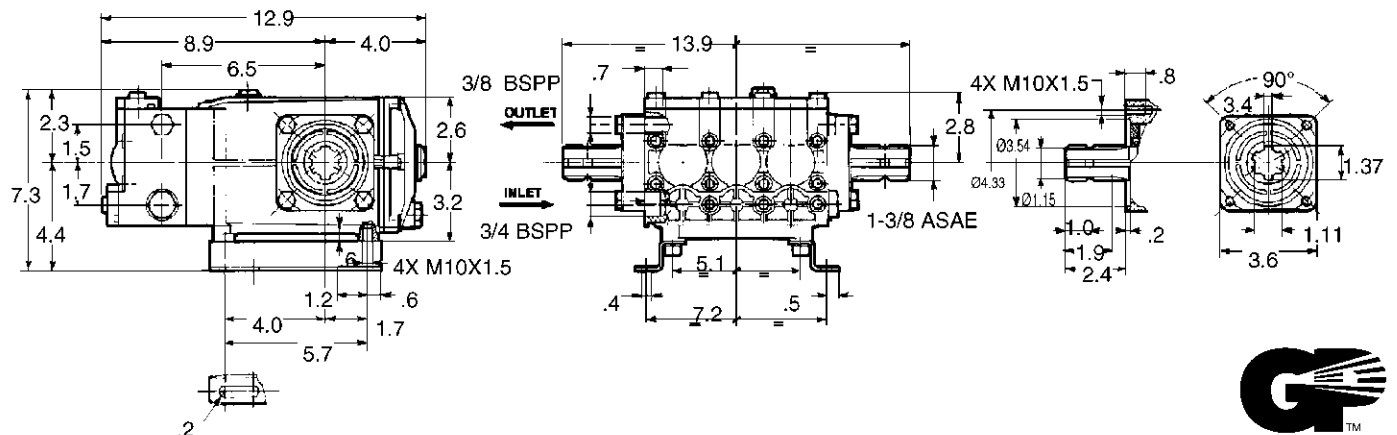
- The industry's choice for high-flow applications
- Aluminum Manifold
- Large-capacity, die-cast, anodized aluminum oil-bath crankcase
- Over-sized connecting rods for maximum life
- Heavy-duty tapered roller bearing.
- Solid ceramic plungers with continuously lubricated packings
- Unitized stainless steel inlet and discharge valves

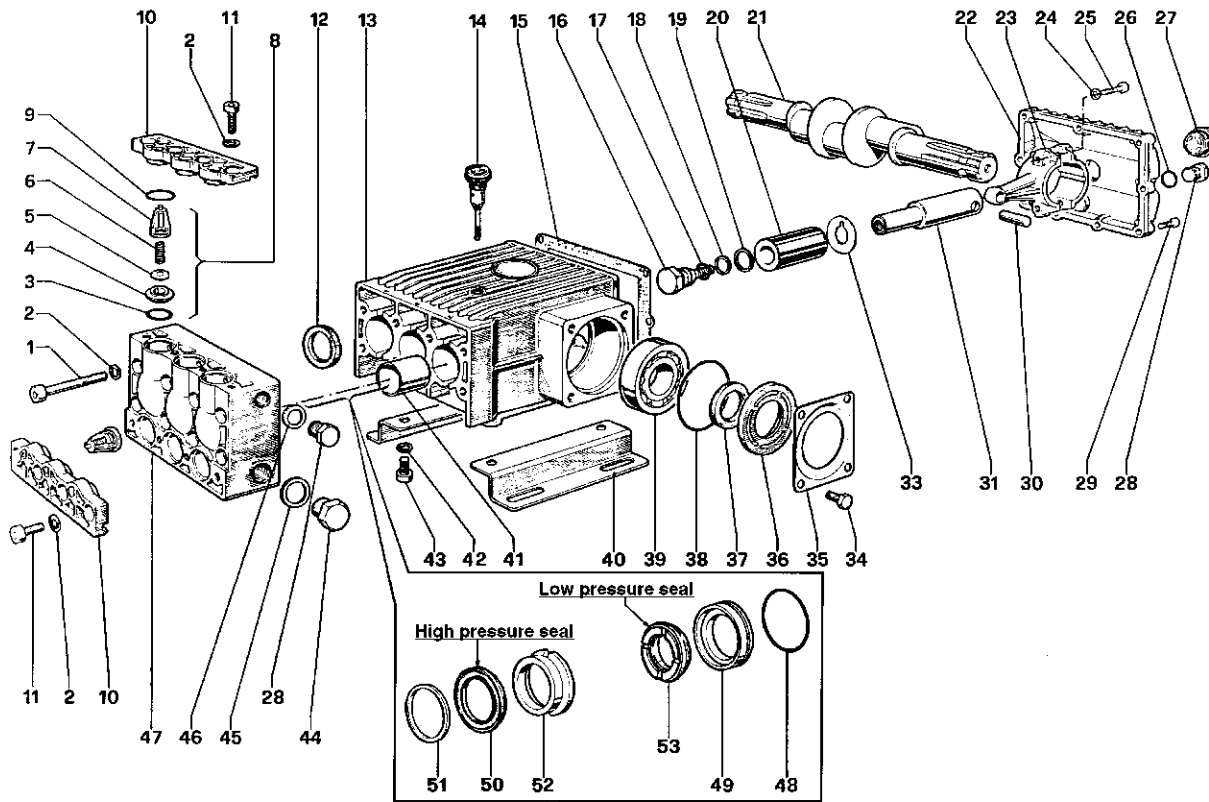


SPECIFICATIONS

Pump Model	AT0055
Maximum Volume	13.22 GPM
Maximum Discharge Pressure	725 PSI
Maximum Pump Speed	650 RPM
Maximum Inlet Pressure	125 PSI
Bore	1.417 in. / 36 mm
Stroke (in./mm)	.945 / 24
Crankcase Oil Capacity	51 oz.
Maximum Fluid Temperature	165°F
Inlet Port Thread	3/4-14 BSPP-F
Discharge Port Thread	3/8-19 BSPP-F
Shaft Diameter	1-3/8" ASAE splined
Weight	36 lbs.
Dimensions	13 x 14 x 7.5 in.

DIMENSIONAL DRAWING





PARTS LIST

ITEM	PART NO.	DESCRIPTION	KIT	QTY.	ITEM	PART NO.	DESCRIPTION	KIT	QTY.	ITEM	PART NO.	DESCRIPTION	KIT	QTY.
1.	99.3787.00	Screw	8		19.	96.7555.00	Washer	74	3	36.	69.2115.51	Shim		2
2.	96.7104.00	Washer	16		20.	69.0400.09	Plunger (36 mm)		3		69.2116.51	Shim Special		1
3.	90.3859.00	O-Ring	62	6	21.	69.0200.35	Crankshaft 1-3/8" ASAE dual		1	37.	90.1672.00	Oil Seal		32
4.	36.2017.66	Valve Seat	62	6		69.0203.35	Crankshaft 1-3/8" ASAE Single			38.	90.4131.00	O-Ring		2
5.	36.2018.76	Valve	62	6		69.0207.35	1-3/8" ASAE x 35mm solid			39.	91.8480.00	Bearing		2
6.	94.7394.00	Spring	62	6	22.	69.1600.22	Crankcase Cover		1	40.	47.2000.74	Foot		2
7.	36.2008.51	Valve Guide	62	6	23.	69.0300.01	Connecting Rod		3	41.	90.9162.00	Bushing		3
8.	36.7060.01	Valve Unit	62	6	24.	96.7014.00	Washer		6	42.	96.7106.00	Washer		4
9.	90.4055.00	O-Ring		6	25.	99.3099.00	Screw		6	43.	99.3644.00	Screw		4
10.	69.2180.22	Valve Cover		2	26.	90.3833.00	O-Ring		1	44.	98.2265.00	Cap Screw		1
11.	99.3669.00	Screw		8	27.	97.5968.00	Oil Sight Gauge			45.	96.7700.00	Washer		1
12.	90.1656.00	Oil Seal		37	28.	98.2100.00	Cap Screw		2	46.	96.7380.00	Washer		1
13.	69.0100.22	Crankcase		1	29.	99.1867.00	Screw		9	47.	69.1200.22	Manifold		1
14.	98.2106.00	Oil Dipstick		1	30.	97.7398.00	Pin		3	48.	90.3885.00	O-Ring		39,40 3
15.	69.2119.84	Gasket		1	31.	69.0500.22	Plunger Guide		3	49.	69.0802.70	Packing Retainer		39,40 3
16.	69.2195.66	Plunger Screw		74 3	33.	96.7565.00	Washer		3	50.	90.2820.00	Packing		38,39 3
17.	90.3841.00	O-Ring		74 3	34.	99.3636.00	Screw		8	51.	69.1002.93	Head Ring		39,41 3
18.	90.5107.00	Anti-Ext. Ring		74 3	35.	68.1500.74	Cover		2	52.	69.2168.70	Intermed. Ring		39,42 3
										53.	90.2823.00	Seal, Low Press., 36mm		38,39 3

REPAIR KITS

KIT NO.	32	37	38	39	40	41	42	62	74
ITEM NO.s INCLUDED IN KIT	37	12	50, 53	48, 49, 50, 51, 52, 53	48, 49	51	52	3, 4, 5, 6, 7 (8)	16, 17, 18, 19
NUMBER OF ASSEMBLIES IN KIT	2	3	3	1/2	3	6	3	6	3
NUMBER OF CYLINDERS KIT WILL SERVICE	-	3	3	1	3	3	3	3	3

TORQUE SPECS*

Position	Ft.-lbs.
1	29.4
11	44.2
16	29.4
25	14.7
27	13.2
28	29.4
29	7.3
34	29.4
43	29.4
44	51.5

*Decrease torque by 20% if threads are lubricated.