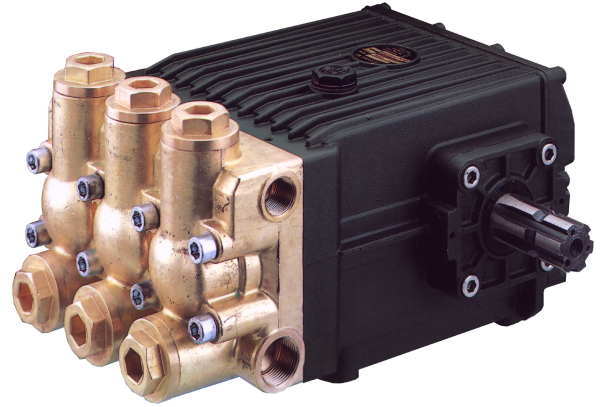


### FEATURES

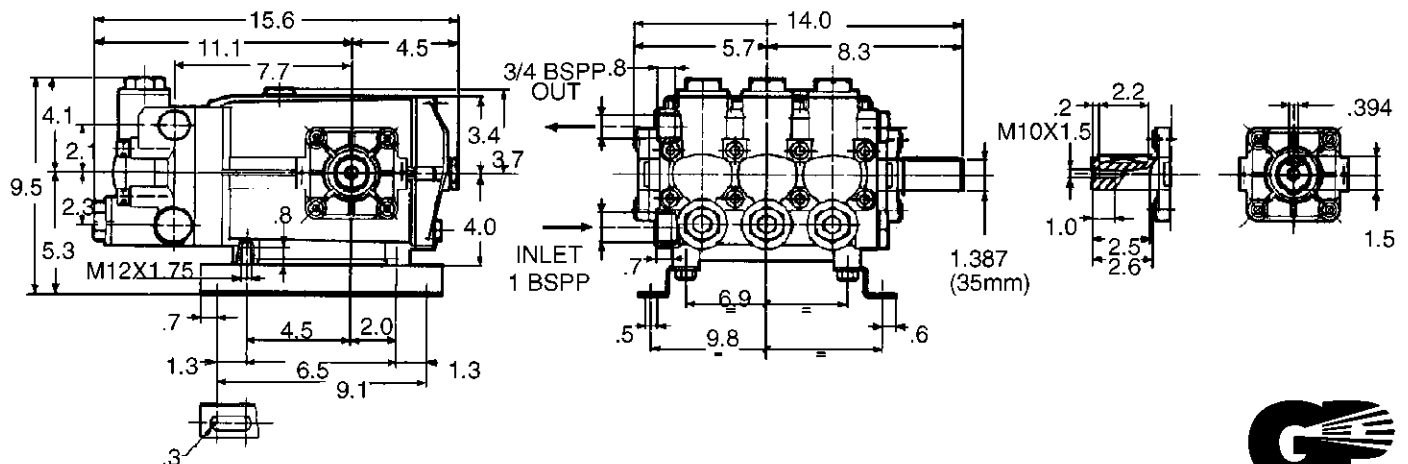
- The industry's choice for high-flow applications
- Forged brass manifold with an exclusive lifetime warranty
- Large-capacity, die-cast, anodized aluminum oil-bath crankcase
- Over-sized connecting rods for maximum life
- Heavy-duty tapered roller bearing.
- Solid ceramic plungers with continuously lubricated packings
- Unitized stainless steel inlet and discharge valves



### SPECIFICATIONS

Pump Model	AT0088
Maximum Volume	22.48 GPM
Maximum Discharge Pressure	870 PSI
Maximum Pump Speed	650 RPM
Maximum Inlet Pressure	125 PSI
Bore	1.771 in. / 45 mm
Stroke (in./mm)	1.102 / 28
Crankcase Oil Capacity	61 oz.
Maximum Fluid Temperature	165°F
Inlet Port Thread	1-11 BSPP-F
Discharge Port Thread	3/4-14 BSPP-F
Shaft Diameter	1-3/8" ASAE splined
Weight	60 lbs.
Dimensions	15.6 x 14.0 x 9.5 in.

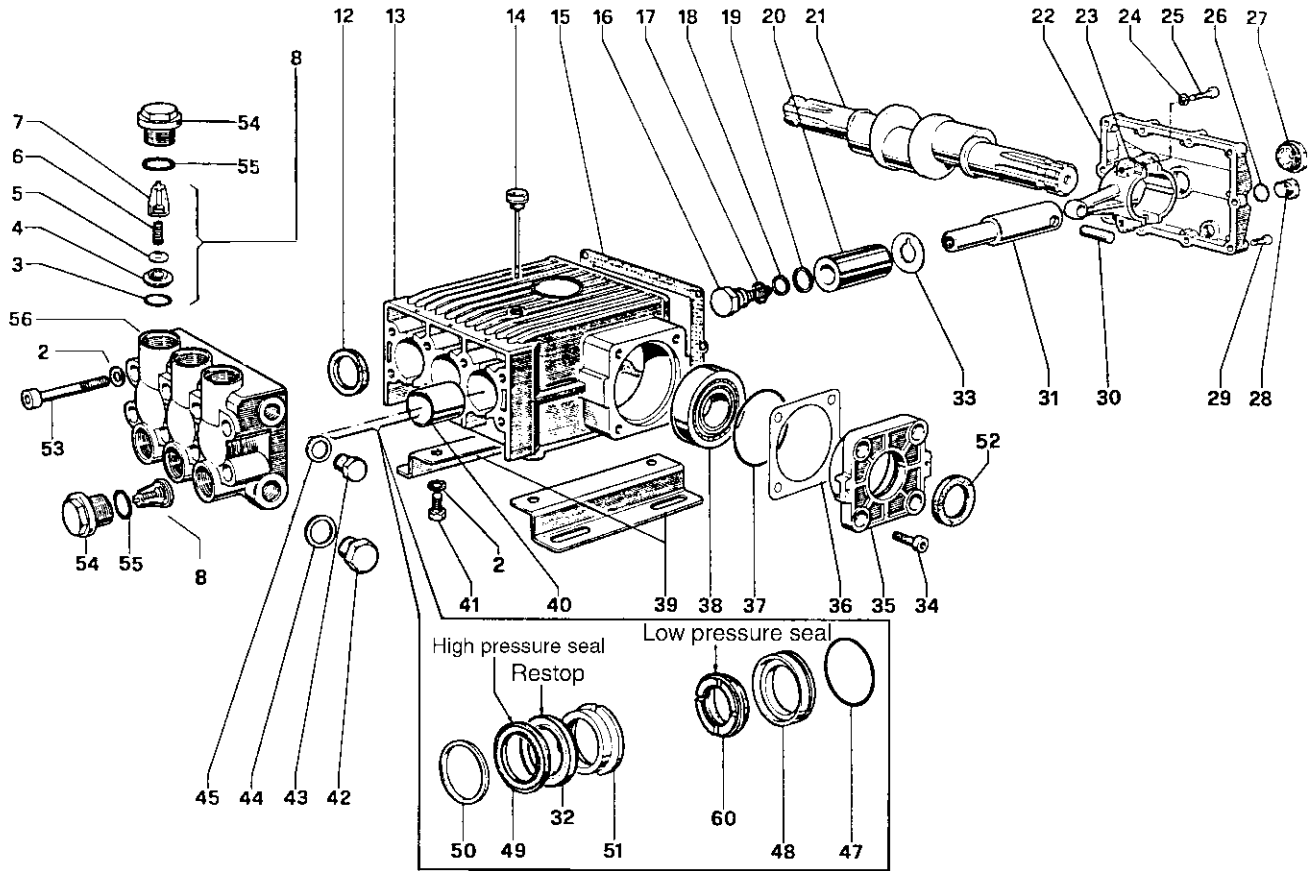
### DIMENSIONAL DRAWING



# AT Series 76 – Triplex

**GENERAL PUMP**

A member of the Interpump Group



## PARTS LIST

ITEM	PART NO.	DESCRIPTION	KIT	QTY.	ITEM	PART NO.	DESCRIPTION	KIT	QTY.	ITEM	PART NO.	DESCRIPTION	KIT	QTY.
2.	96.7195.00	Washer	12		22.	76.1600.22	Crankcase Cover	1		39.	76.2000.74	Foot	2	
3.	90.4059.00	O-Ring	43	6	23.	76.0300.01	Connecting Rod	3		40.	90.9174.00	Bushing	3	
4.	36.2011.66	Valve Seat	43	6	24.	96.7104.00	Washer	6		41.	99.4266.00	Screw	4	
5.	36.2010.76	Valve	43	6	25.	99.3720.00	Screw	6		42.	98.2325.00	Cap Screw	1	
6.	94.7450.00	Spring	43	6	26.	90.3833.00	O-Ring	2		43.	98.2265.00	Cap Screw	1	
7.	36.2009.51	Valve Guide	43	6	27.	97.5968.00	Oil Sight Gauge	1		44.	96.7870.00	Washer	1	
8.	36.7065.01	Valve Unit	43	6	28.	98.2100.00	Cap Screw	2		45.	96.7700.00	Washer	1	
12.	90.1670.00	Oil Seal	44	3	29.	99.1897.00	Screw	10		47.	90.3903.00	O-Ring	47,80	3
13.	76.0100.22	Crankcase	1		30.	97.7400.00	Pin	3		48.	76.0802.70	Packing Retainer	47,80	3
14.	98.2270.00	Oil Dipstick	1		31.	77.0500.22	Plunger Guide	3		49.	90.2850.00	Packing	79,80	3
15.	76.2119.84	Gasket	1		32.	90.2848.00	Restop Ring	79,80,81	3	50.	76.1002.51	Head Ring	48,80	3
16.	69.2195.66	Plunger Screw	74	3	33.	96.7568.00	Washer	3		51.	76.2170.70	Intermed. Ring	80,81	3
17.	90.3841.00	O-Ring	74	3	34.	99.3652.00	Screw	8		52.	90.1672.00	Oil Seal	32	2
18.	90.5107.00	Anti-Ext. Ring	74	3	35.	76.1500.22	Cover	2		53.	99.4418.00	Screw	8	
19.	96.7555.00	Washer	74	3	36.	76.2200.78	Shim	2		54.	98.2420.00	Cap Screw	6	
20.	76.0402.09	Plunger (45 mm)	3		37.	90.4141.00	O-Ring	2		55.	90.4065.00	O-Ring	6	
21.	76.0201.35	Shaft 1-3/8" ASAE splined dual	1		38.	91.8473.00	Bearing	2		56.	76.1200.41	Brass Manifold	1	
	76.0207.35	Shaft 1-3/8" ASAE x 35mm solid								60.	90.2855.00	Seal, Low Press., 45mm	79,80	3

## REPAIR KITS

KIT NO.	32	43	44	47	48	74	79	80	81
ITEM NO.s INCLUDED IN KIT	52	3, 4, 5, 6, 7 (8)	12	47, 48	50	16, 17, 18, 19	32, 49, 60	32, 47, 48, 49, 50, 51, 60	32, 51
NUMBER OF ASSEMBLIES IN KIT	2	6	3	3	6	3	3	1	3
NUMBER OF CYLINDERS KIT WILL SERVICE	-	3	3	3	3	3	3	1	3

## TORQUE SPECS\*

Position	Ft.-lbs.
1	51.5
11	51.5
16	29.4
25	29.4
27	13.2
28	29.4
29	7.3
34	29.4
41	51.5
42	73.7
43	51.5

\*Decrease torque by 20% if threads are lubricated.

