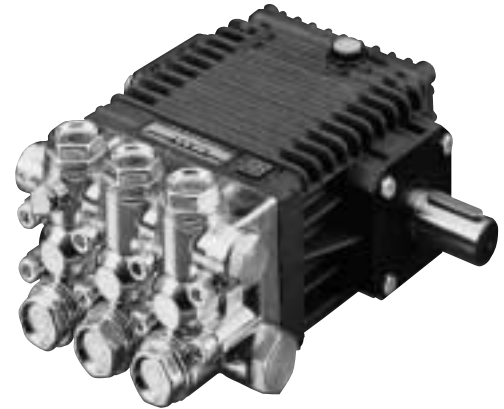


EZ Series 44 S

2500 / 3000 PSI, Triplex Plunger Pump

FEATURES

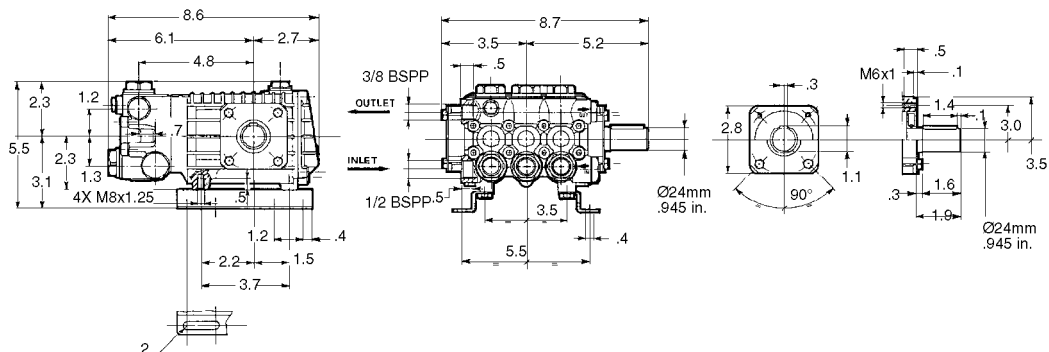
- Solid ceramic plunger design
- Flex coupling and bell housing available for direct drive
- Forged brass manifold with an exclusive lifetime warranty and 4:1 hydrostatic rating
- Die-cast, anodized aluminum, oil-bath crankcase
- Premium roller bearing
- Unitized stainless steel inlet and discharge valves
- Available in “L” left-handed versions



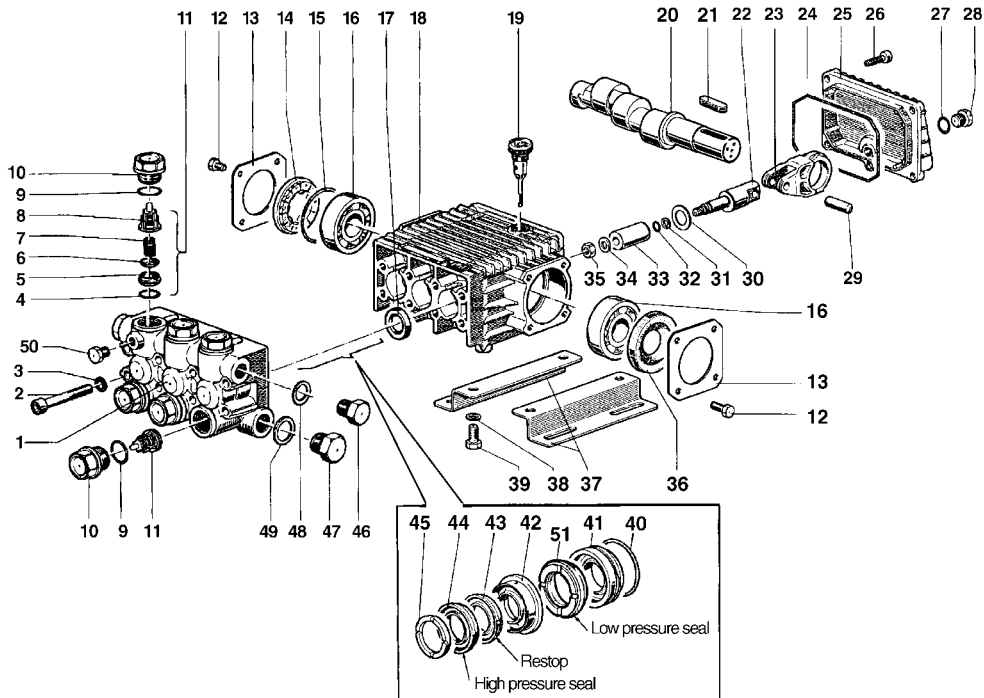
SPECIFICATIONS

Pump Model	EZ2536S	EZ2542S	EZ2545S	EZ2555S	EZ3040S	EZ3042S
Maximum Volume	3.6 GPM	4.2 GPM	4.6 GPM	5.5 GPM	4.0 GPM	4.2 GPM
Maximum Discharge Pressure	2500 PSI				3000 PSI	
Maximum Pump Speed	1750 RPM		3400 RPM			1750 RPM
Maximum Inlet Pressure	125 PSI					
Maximum Inlet Vacuum	3 ft. water (2.6 in. Hg)				9 ft. water (7.9 in. Hg)	
Bore	.708 in. / 18 mm		.591 in. / 15 mm			.708 in./18 mm
Stroke (in./mm)	.433 / 11	.512 / 13	.433 / 11	.512 / 13	.374 / 9.5	.512 / 13
Crankcase Oil Capacity	14.0 oz.					
Maximum Fluid Temperature	165°F					
Inlet Port Thread	1/2-14 BSPP-F					
Discharge Port Thread	3/8-19 BSPP-F					
Shaft Diameter.	.945 in. / 24 mm					
Weight	18 lbs.					
Dimensions	8.6 x 8.7 x 5.5 in.					

DIMENSIONAL DRAWING



EZ Series 44 S – 2500/3000 PSI **GENERAL PUMP** A member of the Interpump Group



PARTS LIST

Item	Part No.	Description	Kit No.	Qty.	Item	Part No.	Description	Kit No.	Qty.	Item	Part No.	Description	Kit No.	Qty.
1.	44120441	Manifold (18mm: EZ2536S, EZ2542S, EZ3042S)		1	21.	90489200	Key		1	42.	44216170	Intermediate Ring (18mm: EZ2536S, EZ2542S, EZ3042S)	128, 131	3
	44120041	Manifold (15mm: EZ2545S, EZ2555S, EZ3040S)		1	22.	44050066	Plunger Guide		3		52216670	Intermediate Ring (15mm: EZ2545S, EZ2555S, EZ3040S)	89, 130	3
2.	99317500	Screw	123	8	23.	44030022	Connecting Rod		3	43.	90268300	Packing (18mm: EZ2536S, EZ2542S, EZ3042S)	127, 131	3
3.	96701400	Washer		8	24.	90392000	O-Ring		1		90262200	Packing (15mm: EZ2545S, EZ2555S, EZ3040S)	88, 130	3
4.	90384100	O-Ring	123	6	25.	44160022	Rear Cover		1	44.	90268200	Packing (18mm: EZ2536S, EZ2542S, EZ3042S)	127, 131	3
5.	36200366	Valve Seat	123	6	26.	99183700	Screw		5		90262000	Packing (15mm: EZ2545S, EZ2555S, EZ3040S)	88, 130	3
6.	36200176	Valve	123	6	27.	90358500	O-Ring		1	45.	44100151	Head Ring (18mm: EZ2536S, EZ2542S, EZ3042S)	129, 131	3
7.	94737600	Spring	123	6	28.	98204100	Cap Screw		1		51100051	Head Ring (15mm: EZ2545S, EZ2555S, EZ3040S)	90, 130	3
8.	36202551	Valve Cage	123	6	29.	97734000	Pin		3	46.	98210000	Cap Screw		1
9.	90384700	O-Ring	124	6	30.	96735000	Washer		3	47.	98217600	Cap Screw		1
10.	98222600	Cap Screw	124	6	31.	90502200	Anti-Extrusion Ring		3	48.	96738000	Washer		1
11.	36711501	Valve Assembly	123	6	32.	90357200	O-Ring		3	49.	96751400	Washer		1
12.	99180700	Screw		4	33.	44040109	Plunger, 18mm (EZ2536S, EZ2542S, EZ3042S)		3	50.	98196600	Cap Screw		1
13.	50150074	Bearing Cover		1		52040009	Plunger, 15mm (EZ2545S, EZ2555S, EZ3040S)		3	51.	90268400	Seal, Low Press. (18mm: EZ2536E, EZ2542E)	127, 131	3
14.	44211801	Spacer		1	34.	96700800	Washer	126, 131	3		90261700	Seal, Low Press. (15mm: EZ2545E, EZ2555E)	88, 130	3
15.	90409700	O-Ring		1	35.	92221600	Nut		3					
16.	91832800	Ball Bearing		1	36.	90164100	Oil Seal		1					
17.	90161400	Oil Seal	23	3	40.	90361200	O-Ring (18mm: EZ2536S, EZ2542S, EZ3042S)	126, 131	3					
18.	44010022	Crankcase		1		90361200	O-Ring (15mm: EZ2545S, EZ2555S, EZ3040S)	125, 130	3					
19.	98210300	Oil Dip Stick		1	41.	44080170	Packing Retainer (18mm: EZ2536S, EZ2542S, EZ3042S)	126, 131	3					
20.	44020035	Crankshaft (EZ3040S)		1		44080070	Packing Retainer (15mm: EZ2545S, EZ2555S, EZ3040S)	125, 130	3					
	44020335	Crankshaft (EZ2535S, EZ2545S)		1										
	44020635	Crankshaft (EZ2542S, EZ2555S, EZ3042S)		1										

REPAIR KITS

KIT NO.	All	(15mm) (18mm)	(15mm) (18mm)	(15mm) (18mm)	All	All	(15mm) (18mm)	(15mm) (18mm)
	23	88 or 127	89 or 128	90 or 129	123	124	125 or 126	130 or 131
ITEM NO.s INCLUDED IN KIT	17	43, 44, 51	42	45	4, 5, 6, 7, 8, (11)	9, 10	40, 41	40, 41, 42, 43, 44, 45, 51
NUMBER OF ASSEMBLIES IN KIT	3	3/6	3	6	6	6	3	1
NUMBER OF CYLINDERS KIT WILL SERVICE	3	3	3	3	3	3	3	1

TORQUE SPECS*

Position	Ft.-lbs.	N-M
2	14.7	20
10	73.7	100
12	7.3	10
26	7.3	10
28	14.7	20
35	11.0	15
39	14.7	20
46	29.4	40
47	29.4	40
50	9.6	13

*Decrease torque by 20% if threads are lubricated.

