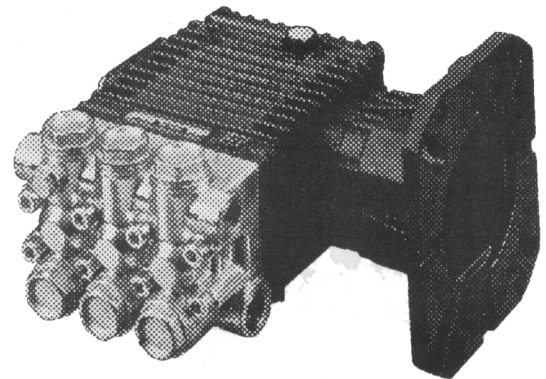


FEATURES

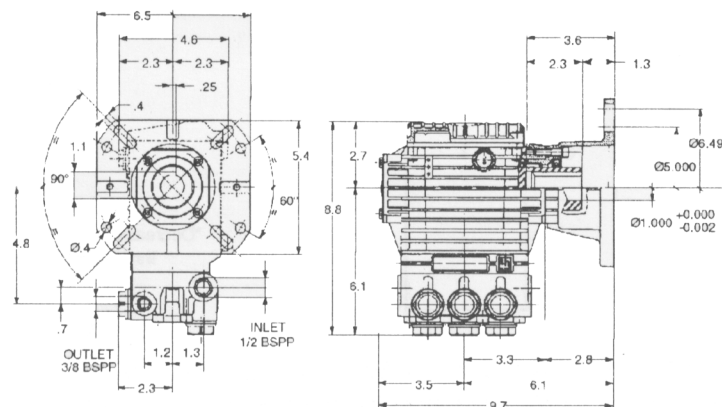
- Standard SAE J609 gasoline mounting flange for up to 13 hp engines
- Forged brass manifold with an exclusive lifetime warranty and 3:1 hydrostatic rating
- Die-cast, anodized aluminum, oil-bath crankcase
- Innovative one-piece plunger design to eliminate water entering crankcase
- Premium roller bearing
- 5% reduction in crankcase load compared to standard 3,000 psi 15 mm pumps
- Superior plunger performance against thermal shock and cavitation due to unique bonding process
- Unitized stainless steel inlet and discharge valves
- Available in "L" left-handed versions

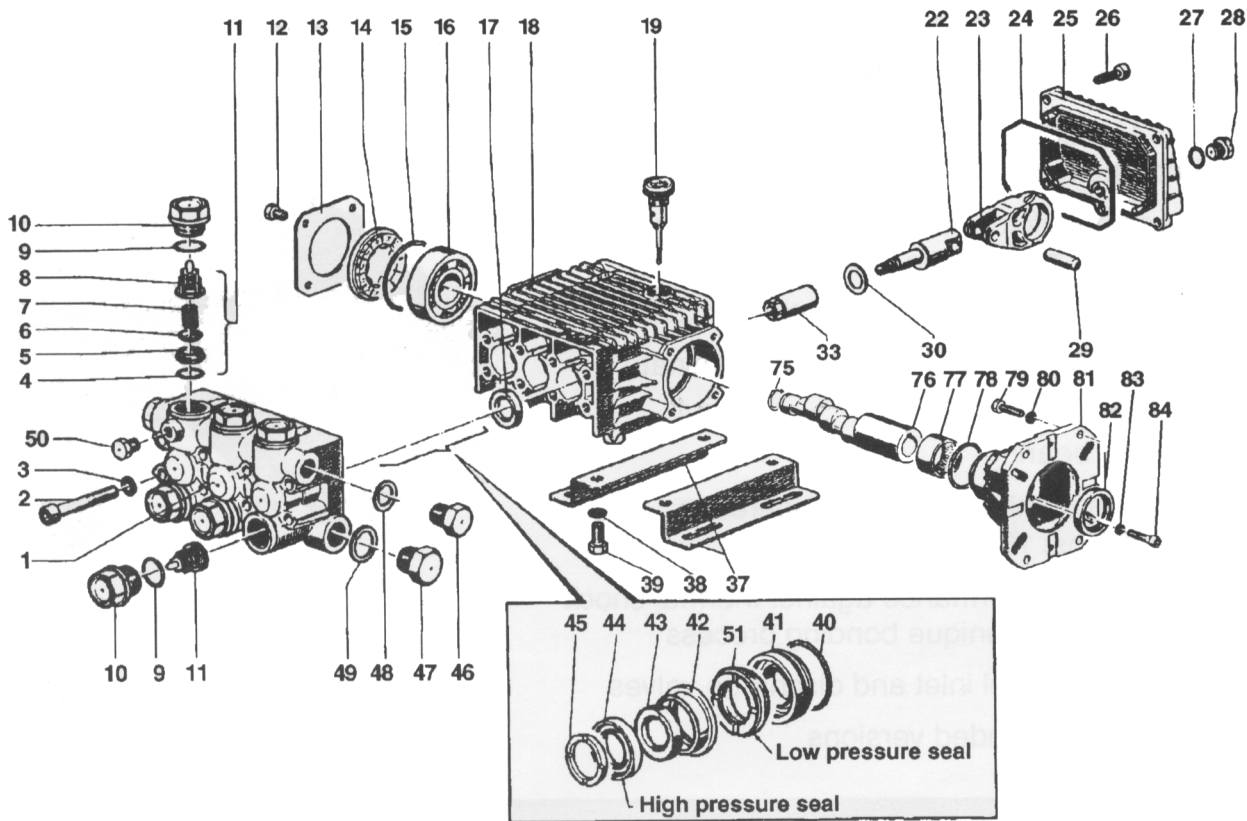


SPECIFICATIONS

| Pump Model | EZ4040G34 | EZ4035G34 | EZ4030G34 |
|----------------------------|--------------------------|-----------|------------|
| Maximum Volume | 4.0 GPM | 3.5 GPM | 3.0 GPM |
| Maximum Discharge Pressure | 4000 PSI | | |
| Maximum Pump Speed | 3400 RPM | | |
| Maximum Inlet Pressure | 125 PSI | | |
| Maximum Inlet Vacuum | 3 ft. water (2.6 in. Hg) | | |
| Bore | .512 in. / 13 mm | | |
| Stroke (in./mm) | .512 / 13 | .433 / 11 | .374 / 9.5 |
| Crankcase Oil Capacity | 14.0 oz. | | |
| Maximum Fluid Temperature | 165°F | | |
| Inlet Port Thread | 1/2-14 BSPP-F | | |
| Discharge Port Thread | 3/8-19 BSPP-F | | |
| Hollow Shaft I.D. | 1.0 in. / 25.4 mm | | |
| Weight | 20 lbs. | | |
| Dimensions | 8.8 x 9.7 x 6.5 in. | | |

DIMENSIONAL DRAWING





PARTS LIST

| Item | Part No. | Description | Kit No. | Qty. | Item | Part No. | Description | Kit No. | Qty. | Item | Part No. | Description | Kit No. | Qty. |
|------|------------|----------------|---------|------|------|------------|-------------------|---------|------|------|------------|------------------------|---------|------|
| 1. | 44.1206.41 | Manifold | | 1 | 23. | 44.0300.22 | Connecting Rod | | 3 | 48. | 96.7380.00 | Washer | | 1 |
| 2. | 99.3175.00 | Screw | | 8 | 24. | 90.3920.00 | O-Ring | | 1 | 49. | 96.7514.00 | Washer | | 1 |
| 3. | 96.7014.00 | Washer | | 8 | 25. | 44.1600.22 | Rear Cover | | 1 | 50. | 98.1966.00 | Cap Screw | | 1 |
| 4. | 90.3841.00 | O-Ring | 123 | 6 | 26. | 99.1837.00 | Screw | | 5 | 51. | 90.2603.00 | Seal, Low Pressure | | 3 |
| 5. | 36.2003.66 | Valve Seat | 123 | 6 | 27. | 90.3585.00 | O-Ring | | 1 | 75. | 90.0635.00 | Retaining Ring | | 1 |
| 6. | 36.2001.76 | Valve | 123 | 6 | 28. | 98.2041.00 | Cap Screw | | 1 | 76. | 44.0221.65 | Crankshaft (EZ4040G34) | | 1 |
| 7. | 94.7376.00 | Spring | 123 | 6 | 29. | 97.7340.00 | Pin | | 3 | | 44.0212.65 | Crankshaft (EZ4035G34) | | 1 |
| 8. | 36.2025.51 | Valve Cage | 123 | 6 | 30. | 96.6967.00 | Washer | | 3 | | 44.0209.65 | Crankshaft (EZ4030G34) | | 1 |
| 9. | 90.3847.00 | O-Ring | 124 | 6 | 33. | 44.0402.66 | Plunger, 13 mm | | 3 | 77. | 91.8568.00 | Roller Bearing | | 1 |
| 10. | 98.2226.00 | Cap Screw | 124 | 6 | 37. | 50.2000.74 | Rail | | 2 | 78. | 90.4097.00 | O-Ring | | 1 |
| 11. | 36.7115.01 | Valve Assembly | 123 | 6 | 38. | 96.7016.00 | Washer | | 4 | 79. | 99.2755.00 | Screw, 5/16x1 | | 4 |
| 12. | 99.1807.00 | Screw | | 4 | 39. | 99.3037.00 | Nut | | 4 | | 99.3345.00 | Screw, 3/8x1 | | 4 |
| 13. | 50.1500.74 | Bearing Cover | | 1 | 40. | 90.3612.00 | O-Ring | | 3 | 80. | 96.7020.00 | Washer, Ø8 mm | | 4 |
| 14. | 44.2118.01 | Spacer | | 1 | 41. | 44.0803.70 | Packing Retainer | | 3 | | 96.7104.00 | Washer, Ø10 mm | | 4 |
| 15. | 90.4097.00 | O-Ring | | 1 | 42. | 44.2162.70 | Intermediate Ring | | 3 | 81. | 10.0518.22 | Gas Flange | | 1 |
| 16. | 91.8328.00 | Ball Bearing | | 1 | 43. | 90.5076.00 | Packing | | 3 | 82. | 90.1690.00 | Oil Seal | | 1 |
| 17. | 90.1614.00 | Oil Seal | 23 | 3 | 44. | 90.2602.00 | Packing | | 3 | 83. | 96.6938.00 | Washer | | 4 |
| 18. | 44.0100.22 | Crankcase | | 1 | 45. | 44.1002.51 | Head Ring | | 3 | 84. | 99.1912.00 | Screw | | 4 |
| 19. | 98.2103.00 | Oil Dip Stick | | 1 | 46. | 98.2100.00 | Cap Screw | | 1 | | | | | |
| 22. | 44.0501.66 | Piston Guide | | 3 | 47. | 98.2176.00 | Cap Screw | | 1 | | | | | |

REPAIR KITS

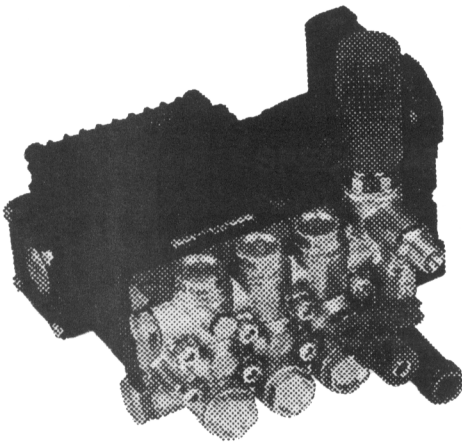
| KIT NO. | 23 | 123 | 124 | | |
|--------------------------------------|----|---------------------|-------|------------|----------------------------|
| ITEM NO'S INCLUDED IN KIT | 17 | 4, 5, 6, 7, 8, (11) | 9, 10 | 43, 44, 51 | 40, 41, 42, 43, 44, 45, 51 |
| NUMBER OF ASSEMBLIES IN KIT | 3 | 6 | 6 | 3 | 1 |
| NUMBER OF CYLINDERS KIT WILL SERVICE | 3 | 3 | 3 | 3 | 1 |

TORQUE SPECS*

| Position | Ft.-lbs. | N-M |
|----------|----------|-----|
| 2 | 14.7 | 20 |
| 10 | 73.7 | 100 |
| 12 | 7.3 | 10 |
| 26 | 7.3 | 10 |
| 28 | 14.7 | 20 |
| 46 | 29.4 | 40 |
| 47 | 29.4 | 40 |
| 50 | 9.6 | 13 |
| 79 | 14.7 | 20 |
| 84 | 7.3 | 10 |

*Decrease torque by 20% if threads are lubricated.





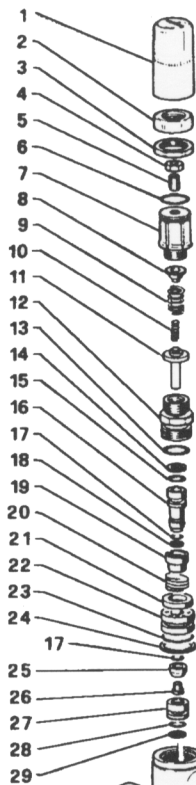
- Features a Built-In Unloader, with optional Chemical Injector and optional Inlet Fitting

- Brass construction (3000 PSI Maximum)

General Pump recommends using a GRV safety relief device in conjunction with this unloader valve when installed on a positive displacement pump. General Pump is not liable and assumes no responsibility for this valve when used in a customer's high pressure system.

PARTS LIST

Built-in Unloader Injector for EZ Series Pumps



| No. | Part Number | Description | Kit | Qty. |
|-----|-------------|----------------------|-----|------|
| 1. | 36.3187.51 | Knob | | 1 |
| 2. | 36.3186.70 | Nut, Ring | | 1 |
| 3. | 92.2935.00 | Nut, M28 x 1.5 | | 1 |
| 4. | 92.2218.00 | Nut, M8 | | 1 |
| 5. | 99.3054.00 | Screw, M8 x 20 | | 1 |
| 6. | 90.3598.00 | O-Ring, .801 x .070 | | 1 |
| 7. | 36.3185.70 | Register, Pressure | | 1 |
| 8. | 36.3169.70 | Cap | | 1 |
| 9. | 94.7436.00 | Spring, Ø15 x 35 mm | | 1 |
| 10. | 94.7345.00 | Spring, Ø7.6 x 29 mm | | 1 |
| 11. | 36.3233.70 | Cap, Lower | | 1 |
| 12. | 36.3228.70 | Bushing, Guide | | 1 |
| 13. | 90.3857.00 | O-Ring, .937 x .103 | | 1 |
| 14. | 90.5052.00 | Ring, Back-up | † | 1 |
| 15. | 90.3820.00 | O-Ring, .359 x .103 | † | 1 |
| 16. | 36.3234.70 | Piston, Valve | † | 1 |
| 17. | 90.3575.00 | O-Ring, .266 x .070 | † | 2 |
| 18. | 90.5025.00 | Ring, Back-up | | 1 |
| 19. | 36.3230.70 | Spacer | † | 1 |
| 20. | 94.7485.00 | Spring | † | 1 |
| 21. | 36.3231.72 | Valve | † | 1 |
| 22. | 36.3229.70 | Guide, Valve | † | 1 |
| 23. | 90.3600.00 | O-Ring, .864 x .070 | † | 1 |
| 24. | 90.5144.00 | Ring, Back-up | † | 1 |
| 25. | 36.3190.66 | Valve, Ball | † | 1 |
| 26. | 99.1509.00 | Screw, M5 x 7.5 | † | 1 |
| 27. | 36.3164.66 | Seat, Valve | † | 1 |
| 28. | 90.3822.00 | O-Ring, .391 x .103 | † | 1 |

| No. | Part Number | Description | Kit | Qty. |
|-----|-------------|--------------------------------|-----|------|
| 29. | 90.5065.00 | Ring, Back-up | † | 1 |
| 30. | 90.3832.00 | O-Ring, .549 x .103 | * | 1 |
| 31. | 10.0078.70 | Nipple, 3/8" | | 1 |
| | 10.0147.70 | Nipple, M22 x 1.5 | | 1 |
| 32. | 98.2057.00 | Cap, M14 x 1.5 | | 1 |
| 33. | 98.1966.00 | Cap, 1/8 x 8 | | 1 |
| 34. | 44.1201.41 | Manifold, Pump (Ø15 mm) | | 1 |
| | 44.1205.41 | Manifold, Pump (Ø18 mm) | | 1 |
| 40. | 90.3822.00 | O-Ring, .391 x .103 | * | 1 |
| 41. | 10.0151.66 | Nozzle, Ø2 mm (Up to 3 GPM) | | 1 |
| | 10.0176.66 | Nozzle, Ø2.2 mm (3 to 4.5 GPM) | | 1 |
| 42. | 90.3582.00 | O-Ring, .364 x .070 | * | 1 |
| 43. | 94.8217.00 | Spring | * | 1 |
| 44. | 97.4782.00 | Ball, 7/32" | * | 1 |
| 45. | 90.3572.00 | O-Ring, .208 x .070 | * | 1 |
| 46. | 94.7383.00 | Spring | * | 1 |
| 47. | 90.3580.00 | O-Ring, .343 x .070 | * | 1 |
| 48. | 36.2564.70 | Shutter | | 1 |
| 49. | 36.2565.51 | Knob | | 1 |
| 50. | 90.3570.00 | O-Ring, .176 x .070 | * | 2 |
| 51. | 36.2566.70 | Coupling | | 1 |
| 52. | 36.3181.51 | Body | | 1 |
| 53. | 90.3585.00 | O-Ring, .426 x .103 | * | 1 |
| 54. | 36.2563.70 | Seat, Valve | | 1 |

OPTIONAL INLET FITTINGS

| | | | | |
|-----|------------|-------------------------------|--|---|
| 60. | 90.3841.00 | O-Ring | | 1 |
| 61. | 36.3182.51 | Nipple, 3/4 BSPP-M | | 1 |
| 62. | 92.8925.00 | Filter | | 1 |
| 66. | 701115 | O-Ring | | 1 |
| 67. | 680006 | Fitting | | 1 |
| 68. | 700004 | Filter | | 1 |
| * | KIT 94 | Repair Kit, Chemical Injector | | |
| † | KIT 137 | Repair Kit, Unloader Valve | | |

