

### FEATURES

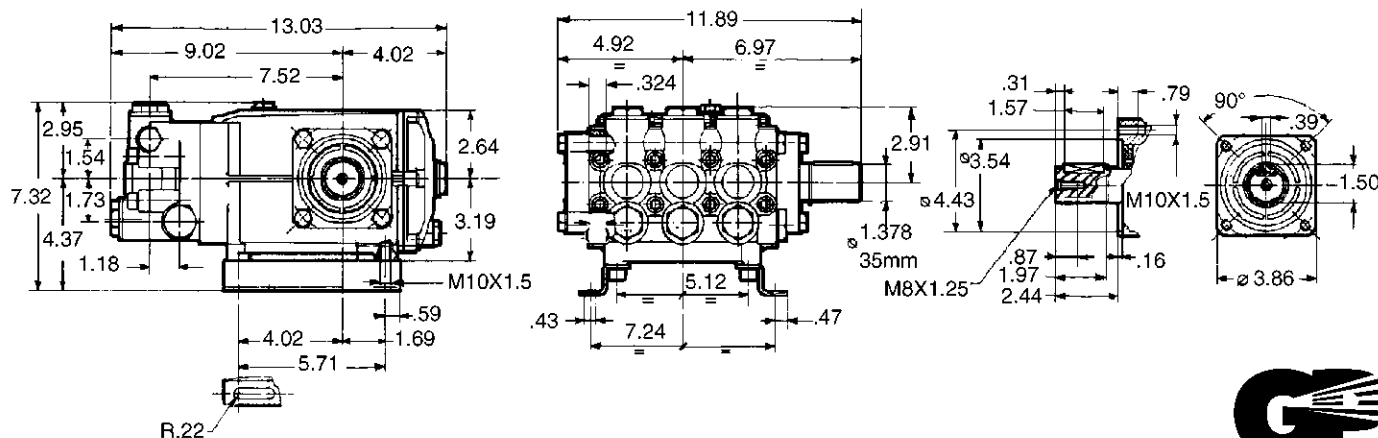
- The preferred pump frame in the pressure cleaning industry
- Forged brass manifold with an exclusive lifetime warranty
- Large-capacity, die-cast, anodized aluminum oil-bath crankcase
- Over-sized connecting rods for maximum life
- Heavy-duty tapered roller bearing.
- Solid ceramic plungers with continuously lubricated packings
- Unitized stainless steel inlet and discharge valves
- Available in left-handed “L” version

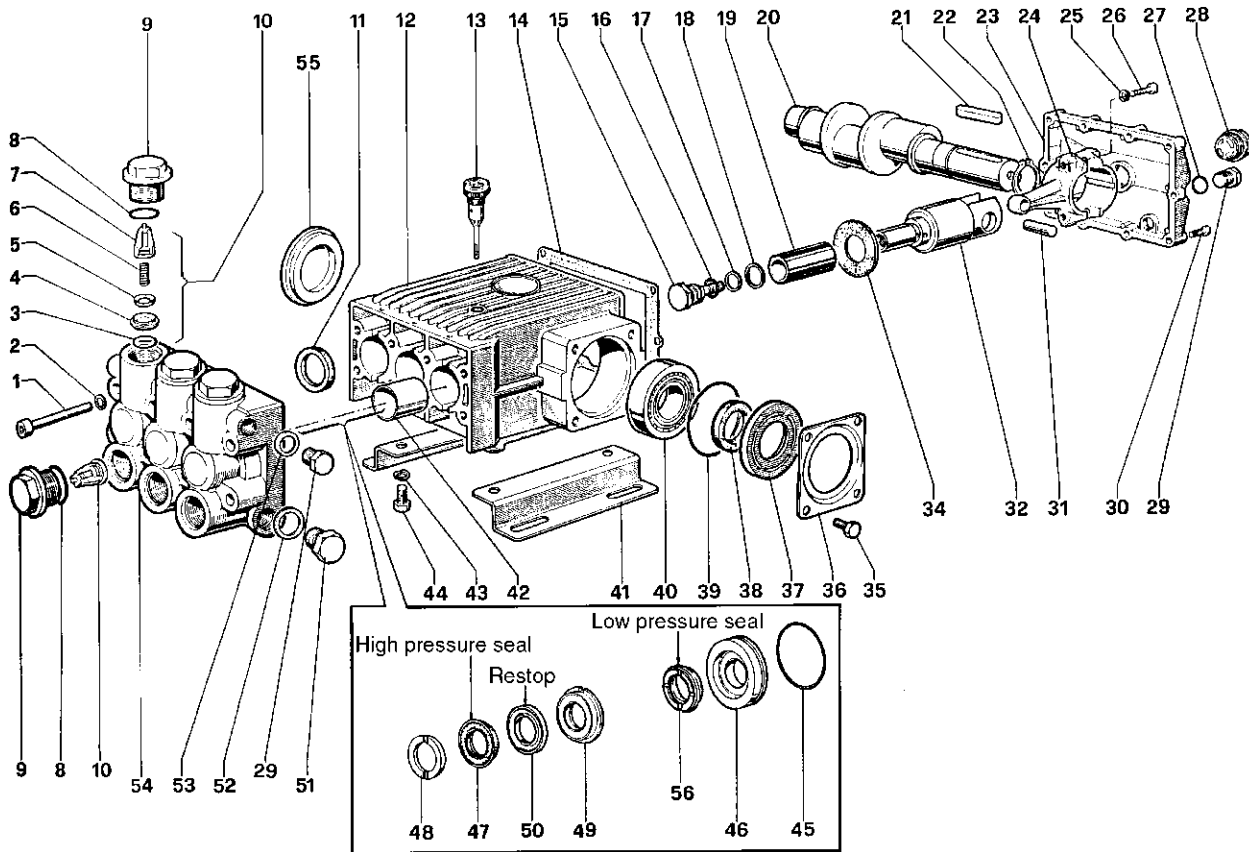


### SPECIFICATIONS

Pump Model	TS1041	TS1531
Maximum Volume	8.0 GPM	7.92 GPM
Maximum Discharge Pressure	1600 PSI	2200 PSI
Maximum Pump Speed	1450 RPM	
Maximum Inlet Pressure	125 PSI	
Maximum Inlet Vacuum	9 ft. water (7.9 in. Hg)	
Bore	.787 in. / 20 mm	
Stroke	.866 in. / 22 mm	
Crankcase Oil Capacity	50.7 oz.	
Maximum Fluid Temperature	165°F	
Inlet Port Thread	3/4-14 BSPP-F	
Discharge Port Thread	3/8-19 BSPP-F	
Shaft Diameter.	1.378 in. / 35 mm	
Weight	46 lbs.	
Dimensions	13.0 x 11.9 x 7.3 in.	

### DIMENSIONAL DRAWING





### PARTS LIST

ITEM	PART NO.	DESCRIPTION	KIT NO.	QTY.	ITEM	PART NO.	DESCRIPTION	KIT NO.	QTY.	ITEM	PART NO.	DESCRIPTION	KIT NO.	QTY.
1.	99.3787.00	Screw		8	19.	47.0404.09	Plunger (20 mm)		3	38.	90.1672.00	Ring	32	1
2.	96.7104.00	Washer		8	20.	69.0210.35	Crankshaft		1	39.	90.4131.00	O-Ring		2
3.	90.3859.00	O-Ring	62	6	21.	91.4969.00	Key		1	40.	91.8480.00	Bearing		2
4.	36.2017.66	Valve Seat	62	6	22.	90.0695.00	Cir-Clip		1	41.	47.2000.74	Foot		2
5.	36.2018.76	Valve	62	6	23.	69.1600.22	Crankcase Cover		1	42.	90.9162.00	Bushing		3
6.	94.7394.00	Spring	62	6	24.	69.0300.01	Connecting Rod		3	43.	96.7106.00	Washer		4
7.	36.2008.51	Valve Guide	62	6		69.0303.01	Connecting Rod (TS1531)			44.	99.3644.00	Screw		4
8.	90.4051.00	O-Ring		6	25.	96.7014.00	Washer		6	45.	90.3885.00	O-Ring	57,82	3
9.	98.2312.00	Cap		6	26.	99.3099.00	Screw		6	46.	69.0804.70	Packing Retainer	57,82	3
10.	36.7060.01	Valve Unit	62	6	27.	90.3833.00	O-Ring		1	47.	90.2705.00	Packing	69,82	3
11.	90.1656.00	Seal	37	3	28.	97.5968.00	Indicator		1	48.	47.1000.51	Head Ring	7,82	3
12.	69.0100.22	Cover		1	29.	98.2100.00	Cap		2	49.	47.2169.70	Intermediate Ring	71,82	3
13.	98.2106.00	Oil Dipstick		1	30.	99.1867.00	Screw		9	50.	90.2704.00	Ring	69,71,82	3
14.	69.2119.84	Gasket		1	31.	97.7398.00	Plunger Pin		3	51.	98.2265.00	Cap		1
15.	47.2195.66	Plunger Bolt	54	3	32.	69.0502.54	Plunger Guide		3	52.	96.7700.00	Washer		1
16.	90.3585.00	O-Ring	54	3	34.	69.2117.47	Flinger	54	3	53.	96.7380.00	Washer		1
17.	90.5067.00	Anti-Ext. Ring	54	3	35.	99.3636.00	Screw		8	54.	69.1210.41	Manifold		1
18.	96.7280.00	Washer	54	3	36.	68.1500.74	Crankcase Cover		2	55.	69.2116.51	Spacer		1
					37.	69.2115.51	Spacer		1	56.	90.2710.00	Seal, Low Press., 20mm	69,82	3

### REPAIR KITS

KIT NO.	7	32	37	54	57	62	69	71	82
ITEM NO.s INCLUDED IN KIT	48	38	11	15, 16, 17, 18, 34	45, 46	3, 4, 5, 6, 7 (10)	47, 50, 56	49, 50	45, 46, 47, 48, 49, 50, 56
NUMBER OF ASSEMBLIES IN KIT	6	2	3	3	3	6	3	3	1
NUMBER OF CYLINDERS KIT WILL SERVICE	3	2	3	3	3	3	3	3	1

### TORQUE SPECS\*

Position	Ft.-lbs.
1	29.4
9	73.7
15	14.7
26	14.7
28	13.2
29	29.4
30	7.3
35	29.4
44	29.4
51	51.5

\*Decrease torque by 20% if threads are lubricated.

